



**ALL NEW PRODUCTS!**

# Heyco®-Tite Liquid Tight Cordgrips

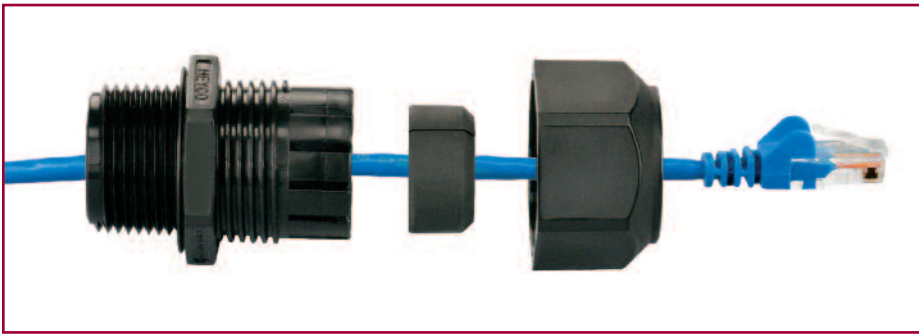
**Split Gland for Pre-assembled Cables, NPT Hubs with Integral Sealing Ring**

*The Ultimate in Liquid Tight Strain Relief Protection*

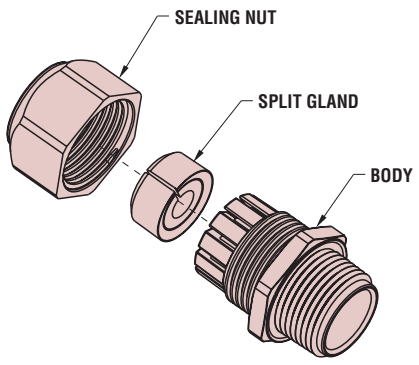
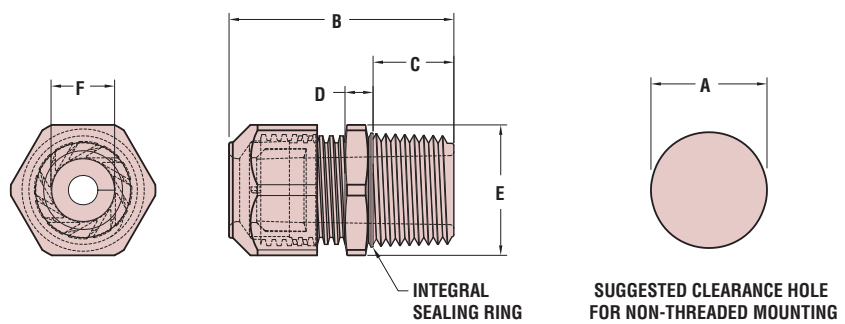


CABLE DIAMETER RANGE				PART NUMBER		DESCRIPTION	UL OR CSA	PART DIMENSIONS											
Minimum		Maximum		Black	Gray			A Clearance Hole Dia.		B Max. O.A. Length		C Thread Length		D Wrenching Nut Thickness		E Wrenching Nut Flat Size		F Sealing Nut Inside Dia.	
in.	mm.	in.	mm.				in.	mm.	in.	mm.	in.	mm.	in.	mm.	in.	mm.	in.	mm.	
.210	5,3	.330	8,4	M3200GBH	M3201GBH	LTCG LL 1/2 NPT 8.5 MM Split	UL US	.875	22,2	1.68	42,7	.44	11,2	.25	6,4	1.06	27,0	.56	14,2
.210	5,3	.330	8,4	M3234GBH	M3235GBH	LTCG 3/4 NPT 8.5 MM Split	UL US	1.040	26,4	2.00	50,8	.62	15,7	.25	6,4	1.30	33,0	.72	18,3
.138	3,5	.610	15,5	M3234GBJ	M3235GBJ	LTCG 3/4 Split Oval*													
.250	6,4	.330	8,4	M8437GBH	M8438GBH	LTCG 1 NPT 8.5 MM Split	UL US	1.326	33,7	2.41	61,2	.76	19,3	.30	7,6	1.73	43,9	1.02	25,9
.250	6,4	.330	8,4	M4524GBH	M4525GBH	LTCG 1-1/4 NPT 8.5 MM Split	UL US	1.680	42,7	2.69	68,3	.78	19,8	.30	7,6	2.05	52,1	1.27	32,3

Standard color black.  
\*Oval shaped gland opening; not UL Recognized.



- Split Glands are designed for application to the cable **after the cable has passed through the LTCG**; e.g., RJ45 cable with Cat5e termination.
- Simply pass the cable termination through the LTCG body, apply Split Gland to the cable, and insert the gland/cable assembly into the LTCG fingers. Then tighten the Sealing Nut to achieve a **liquid tight seal**.
- For other cable/termination configuration sizes, and Pg and Metric hub threads, please consult Heyco.
- Integral Sealing Ring ensures a superior seal at the clearance or threaded mounting hole location, every time.



<b>Material</b>	Nylon 6/6 w/TPE Sealing Gland
<b>Certifications</b>	UL US Recognized under the Component Program of Underwriters' Laboratories File E51579 to both Canadian and U.S. Requirements
<b>Flammability Rating</b>	94V-2—Consult factory for V0 material
<b>Temperature Rating</b>	Static -40°F (-40°C) to 239°F (115°C) Dynamic -4°F (-20°C) to 212°F (100°C)
<b>IP Rating</b>	IP 68 (70 PSI, 5 BAR)

*Quick Specs*